

Sensors with integrated amplifier | SN 450/1-A4-GR

- Screw-in sensor for flow monitoring
- Robust, compact design
- With switching or analogue output
- Flow monitoring in rough and corrosive environments with heightened requirements for the stability and durability of a device



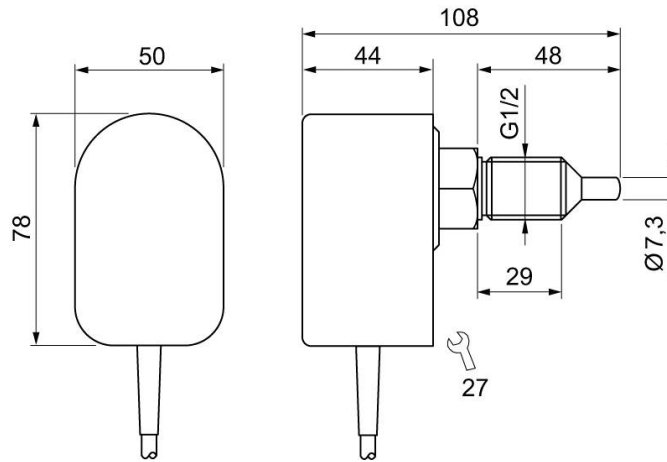
G 1/2 - sensor length 48 mm - 24 VDC - output relay

TYPE	SN 450/1-A4-GR
Product ID	P11078
Medium	water, oil
Detection range water	1 cm/s ... 150 cm/s
Detection range Oil	3 cm/s ... 300 cm/s
Process connection	G1/2
Sensor length L	48 mm
Output	switching output
Output function	relay / change-over
Supply voltage	24 V DC +/- 20 %
Current consumption max.	80 mA
Switching current max.	4 A AC / 4 A DC
Reverse polarity protection	✓
Ambient temperature	-20 °C ... 70 °C
Medium temperature	-20 °C ... 80 °C
Temperature gradient fluids	250 K/min
Start-up time typ.	8 s(2 s ... 15 s)
Reaction time typ.	2 s(1 s ... 13 s)
Compressive strength	100 bar
Material sensor touched by medium	stainless steel AISI 316 Ti

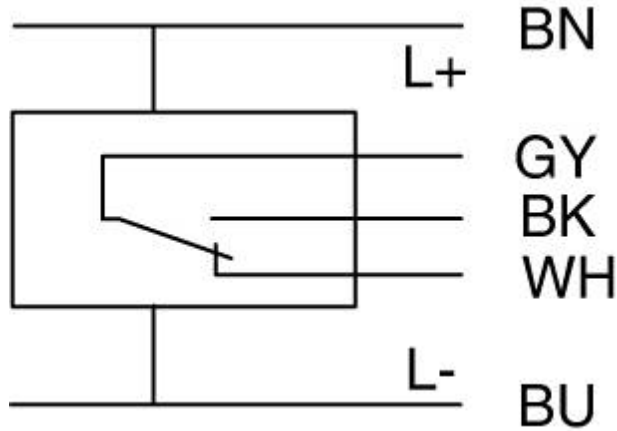
Material housing	PBT, PVC
Display flow	LED-Array
Protection [EN 60529]	IP 67
Electrical connection	2 m PVC-cable 5x0.5 mm ²
Accessories (in scope of delivery)	2 x gasket G1/2 AFM 34, screwdriver

Note with longer cable available on request

Technical Image



Pin Map



Sensors with integrated amplifier | SN 450/1-A4-WR1

- Screw-in sensor for flow monitoring
- Robust, compact design
- With switching or analogue output
- Flow monitoring in rough and corrosive environments with heightened requirements for the stability and durability of a device

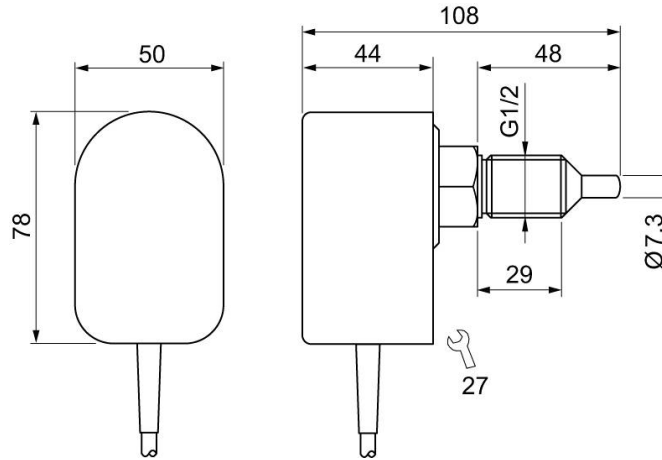


G 1/2 - sensor length 48 mm - 115 VAC - output relay

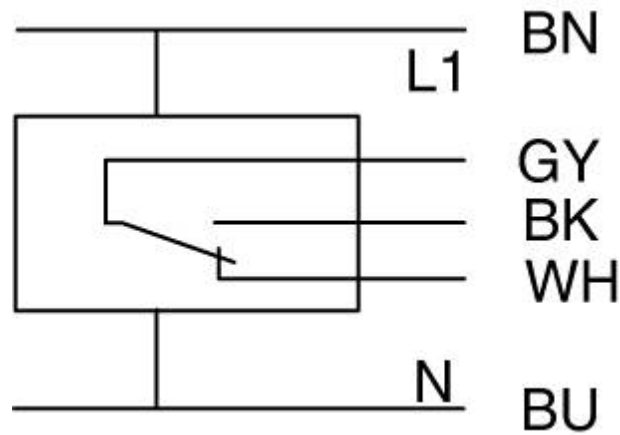
TYPE	SN 450/1-A4-WR1
Product ID	P11074
Medium	water, oil
Detection range water	1 cm/s ... 150 cm/s
Detection range Oil	3 cm/s ... 300 cm/s
Process connection	G1/2
Sensor length L	48 mm
Output	switching output
Output function	relay / change-over
Supply voltage	115 V AC +/- 15 %
Current consumption max.	60 mA
Switching voltage max.	250 V AC / 60 V DC
Switching current max.	4 A AC / 4 A DC
Ambient temperature	-20 °C ... 70 °C
Medium temperature	-20 °C ... 80 °C
Temperature gradient fluids	250 K/min
Start-up time typ.	8 s(2 s ... 15 s)
Reaction time typ.	2 s(1 s ... 13 s)
Compressive strength	100 bar
Material sensor touched by medium	stainless steel AISI 316 Ti
Material housing	PBT, PVC

Display flow	LED-Array
Protection [EN 60529]	IP 67
Electrical connection	2 m PVC-cable 5x0.5 mm ²
Accessories (in scope of delivery)	2 x gasket G1/2 AFM 34, screwdriver
Note	with longer cable available on request

Technical Image



Pin Map



Sensors with integrated amplifier | SN 450/1-A4-WR2

- Screw-in sensor for flow monitoring
- Robust, compact design
- With switching or analogue output
- Flow monitoring in rough and corrosive environments with heightened requirements for the stability and durability of a device



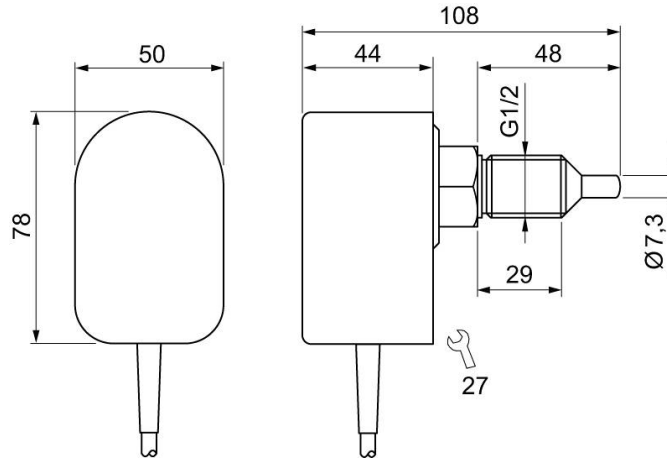
G 1/2 - sensor length 48 mm - 230 VAC - output relay

TYPE	SN 450/1-A4-WR2
Product ID	P11076
Medium	water, oil
Detection range water	1 cm/s ... 150 cm/s
Detection range Oil	3 cm/s ... 300 cm/s
Process connection	G1/2
Sensor length L	48 mm
Output	switching output
Output function	relay / change-over
Supply voltage	230 V AC +/- 15 %
Current consumption max.	30 mA
Switching voltage max.	250 V AC / 60 V DC
Switching current max.	4 A AC / 4 A DC
Ambient temperature	-20 °C ... 70 °C
Medium temperature	-20 °C ... 80 °C
Temperature gradient fluids	250 K/min
Start-up time typ.	8 s(2 s ... 15 s)
Reaction time typ.	2 s(1 s ... 13 s)
Compressive strength	100 bar
Material sensor touched by medium	stainless steel AISI 316 Ti
Material housing	PBT, PVC
Display flow	LED-Array

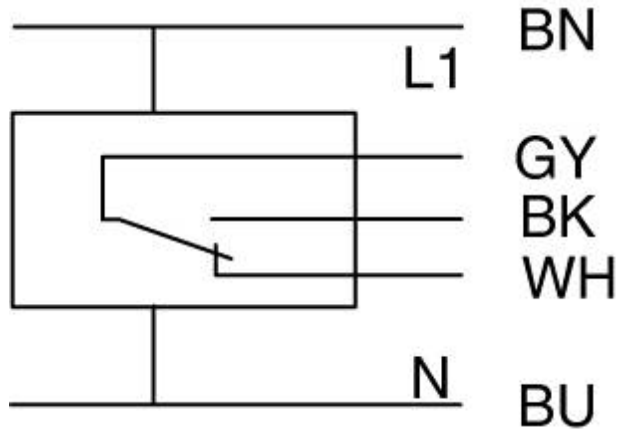
Protection [EN 60529]	IP 67
Electrical connection	2 m PVC-cable 5x0.5 mm ²
Accessories (in scope of delivery)	2 x gasket G1/2 AFM 34, screwdriver

Note with longer cable available on request

Technical Image



Pin Map



Sensors with integrated amplifier | SN 450/1 GA-3M

- Screw-in sensor for flow monitoring
- Robust, compact design
- With switching or analogue output
- Flow monitoring in rough and corrosive environments with heightened requirements for the stability and durability of a device



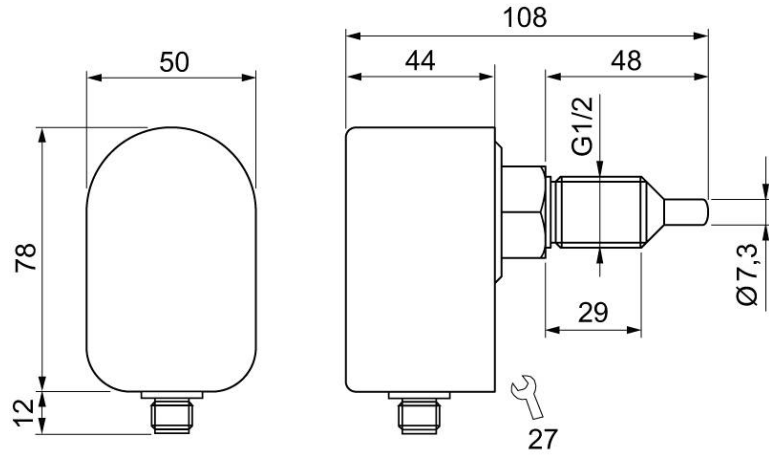
G1/2 - sensor length 48 mm - 24 VDC - output analog 4...20 mA - M12 plug system

TYPE	SN 450/1 GA-3M
Product ID	P11122
Medium	water
Detection range water	5 cm/s ... 300 cm/s
Process connection	G1/2
Sensor length L	48 mm
Output	analog output 4...20 mA
Output function	linear
Supply voltage	24 V DC +/- 10 %
Current consumption max.	100 mA
Load RL	200 Ω ... 500 Ω
Reverse polarity protection	✓
Ambient temperature	-20 °C ... 70 °C
Medium temperature	-20 °C ... 80 °C
Start-up time typ.	8 s ... 60 s
Reaction time typ.	3 s(1 s ... 13 s)
Compressive strength	100 bar
Material sensor touched by medium	stainless steel AISI 316 Ti
Material housing	stainless steel AISI 303, brass, PA, PBT
Display flow	LED-Array

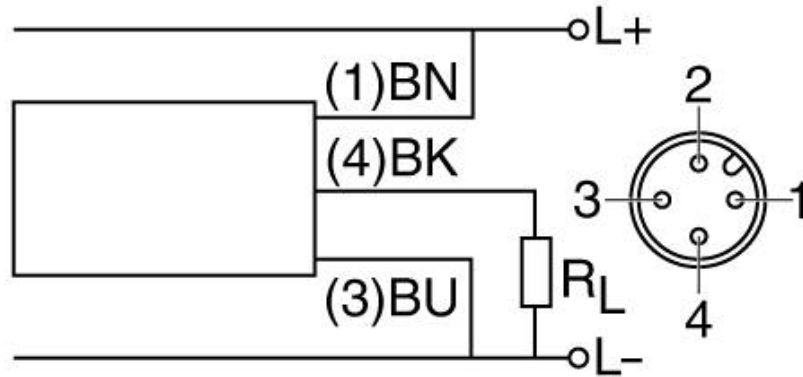
Protection [EN 60529]	IP 65
Electrical connection	M12 connector
Accessories	connecting cable SLG 3-2 (Z01076)

Accessories (in scope of delivery)
 2 x gasket G1/2 AFM 34, screwdriver

Technical Image



Pin Map



Sensors with integrated amplifier | SN 450/2-A4-GR

- Screw-in sensor for flow monitoring
- Robust, compact design
- With switching or analogue output
- Flow monitoring in rough and corrosive environments with heightened requirements for the stability and durability of a device



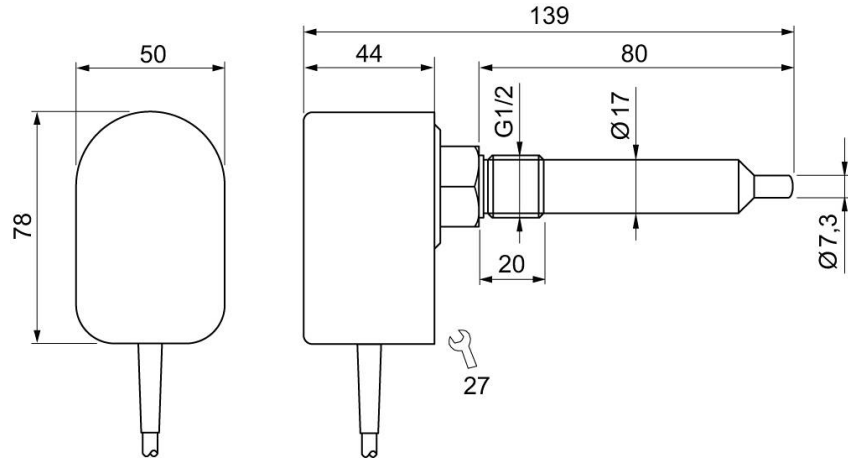
G 1/2 - sensor length 80 mm - 24 VDC - output relay

TYPE	SN 450/2-A4-GR
Product ID	P11081
Medium	water, oil
Detection range water	1 cm/s ... 150 cm/s
Detection range Oil	3 cm/s ... 300 cm/s
Process connection	G1/2
Sensor length L	80 mm
Output function	relay
Supply voltage	24 V DC +/- 20 %
Current consumption max.	80 mA
Switching voltage max.	250 V AC / 60 V DC
Switching current max.	4 A AC / 4 A DC
Reverse polarity protection	✓
Ambient temperature	-20 °C ... 70 °C
Medium temperature	-20 °C ... 80 °C
Temperature gradient fluids	250 K/min
Start-up time typ.	8 s(2 s ... 15 s)
Reaction time typ.	2 s(1 s ... 13 s)
Compressive strength	100 bar
Material sensor touched by medium	stainless steel AISI 316 Ti
Material housing	PBT, PVC
Display flow	LED-Array

Protection [EN 60529]	IP 67
Electrical connection	fixed cable
Accessories (in scope of delivery)	2 x gasket G1/2 AFM 34, screwdriver

Note with longer cable available on request

Technical Image



Pin Map

