

EE51 Series

Miniature Air Velocity Switch for HVAC Applications

Air velocity switches of the EE51 series are compact devices for air velocity monitoring with an excellent price/performance ratio. With the adjusting screw on the sensing probe the threshold can be set between 2 m/sec and 12m/sec.

The switching output is specified as an "open collector" output. For monitoring several ventilators it is possible to combine the EE51 outputs by means of a "wired or" - circuit.

The mode of operation is based on the hot film anemometer principle. Highest accuracy and outstanding long term stability are achieved by use of the innovative E+E thin film sensor elements. These sensors are more insensitive against dust and dirt than conventional anemometer methods and ensure highest reproducibility and reliability.



EE51

Typical Applications

switching cabinets
 HVAC control
 laminar flow control

Features

threshold easy to set
 compact housing
 high insensitivity against dust
 low angular dependence

Technical Data

Output

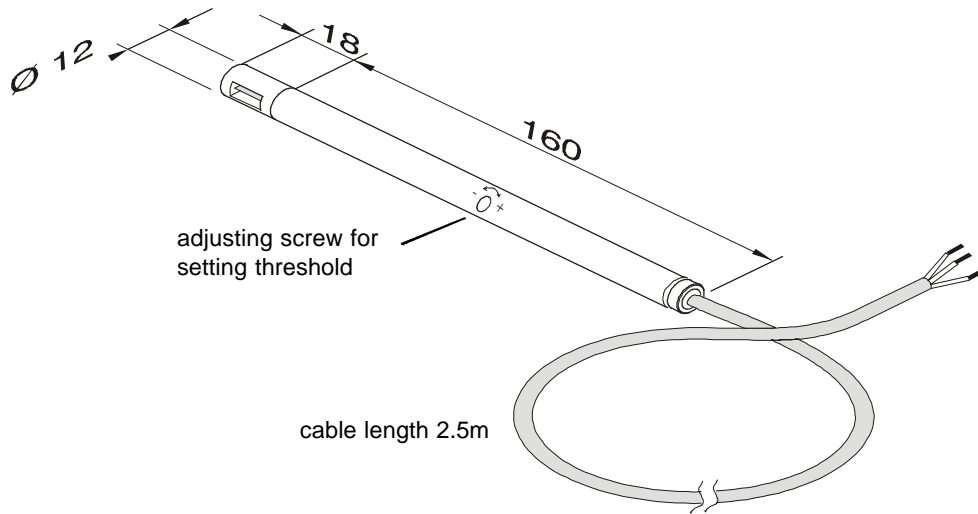
Output	switched open collector output (switching against ground)
Load at 24VDC	max. 10mA
Working range threshold	2 ... 12 m/sec (can be set with adjusting screw)
Hysteresis	typ. 10% of measuring value
Reproducibility	< ± 2 % of end value
Response time at 10m/s	typ. 2sec

General

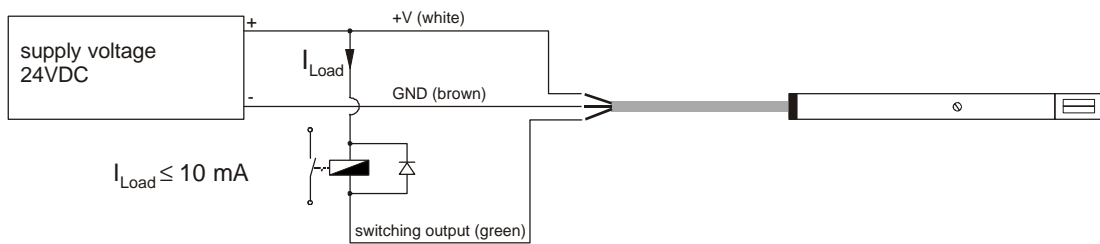
Supply voltage	24 VDC ±15 %
Current consumption	max. 45mADC
Cable length	2.5m
Electrical connection	3 x 0.25 mm ²
Housing / protection class	PC / IP20
Electromagnetic compatibility	EN 50082-1 EN 61000-6-2
Working temperature	-20 ... +60°C
Storage temperature	-20 ... +70°C
Interconnection of several EE51	with "wired or" - circuit



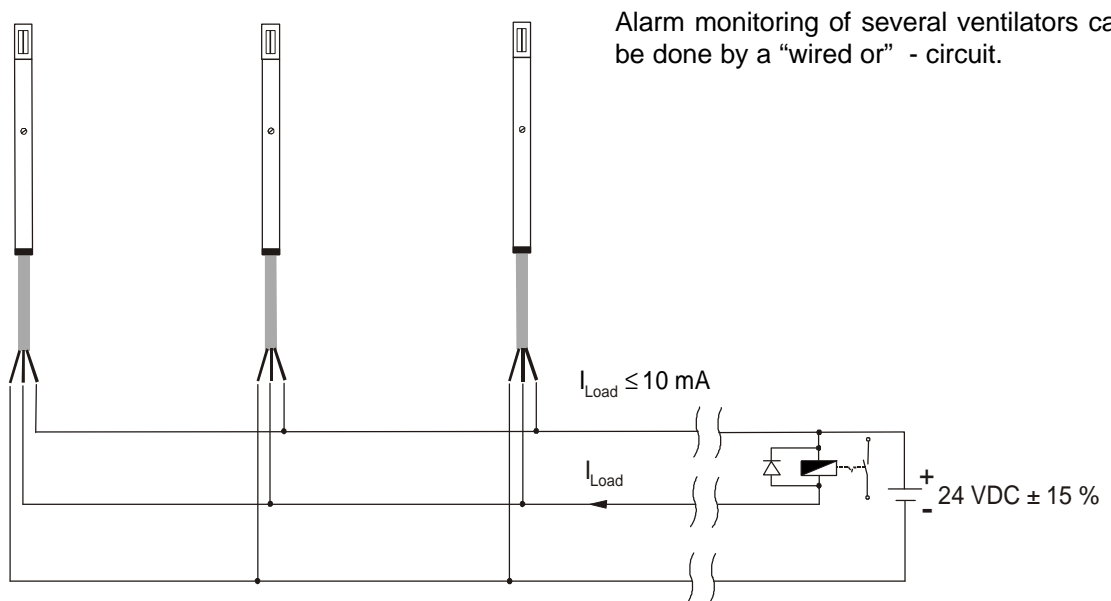
Dimensions (mm)



Connection diagram



Wired or - circuit



Ordering Guide

Accessories

EE51-V

Model: air velocity switch

- mounting flange